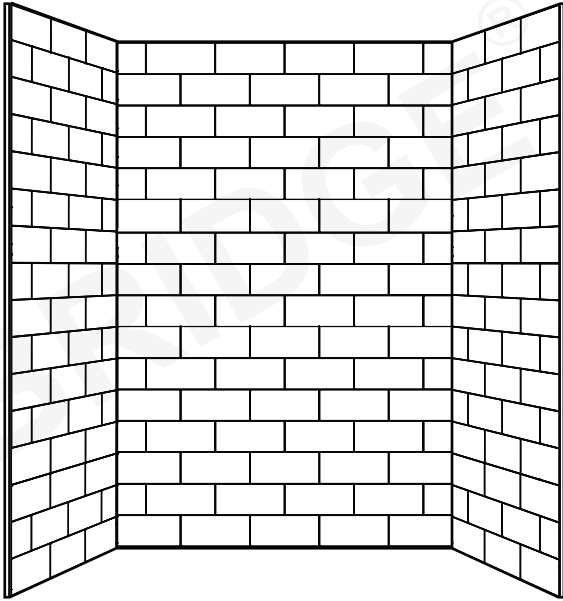


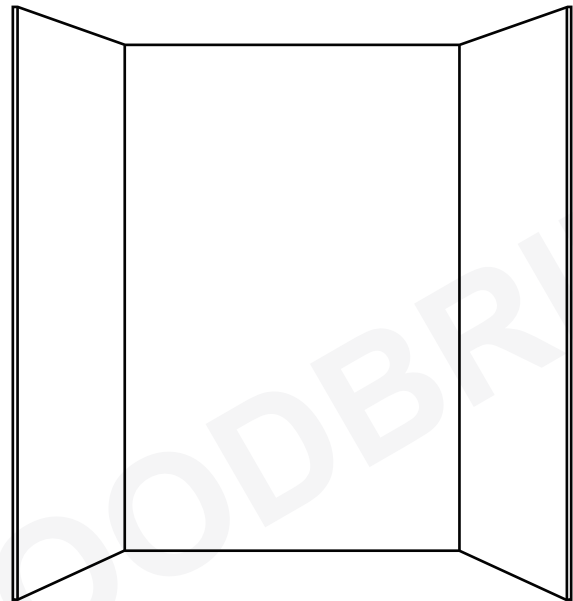
INSTALLATION MANUAL

WOODBIDGE[®] Solid Surface Shower Wall Kits and Panels



Model:

CCP-6030-WH96
CCP-6032-WH96
CCP-6036-WH96
CCP-6048-WH96
CCP-4836-WH96
CCP-3636-WH96



Model:

MAW-6030-CW96
MAW-6032-CW96
MAW-6036-CW96
MAW-6048-CW96
MAW-4836-CW96
MAW-3636-CW96



READ ALL INSTRUCTIONS BEFORE UNPACKING THE PRODUCT

INSTRUCTIONS THAT, IF IGNORED, COULD RESULT IN DEATH OR SERIOUS INJURY CAUSED BY INCORRECT HANDLING OR INSTALLATION OF THE PRODUCT. THESE INSTRUCTIONS MUST BE OBSERVED FOR SAFE INSTALLATION.

CAUTION!



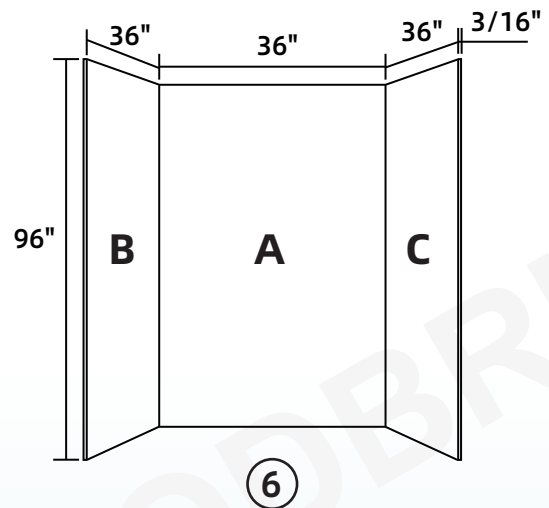
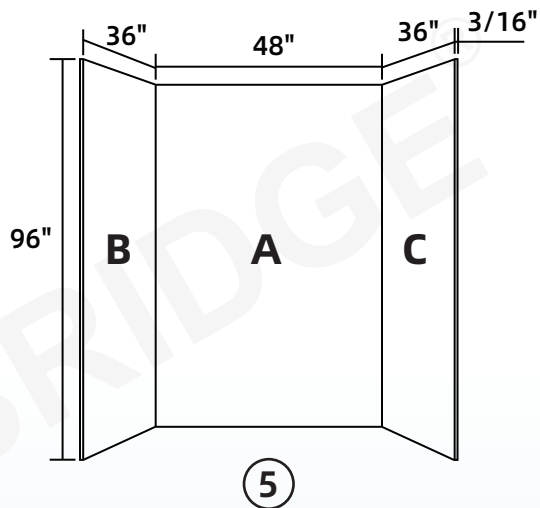
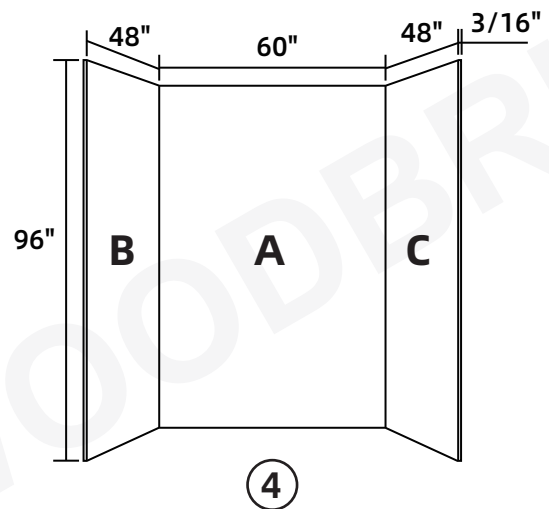
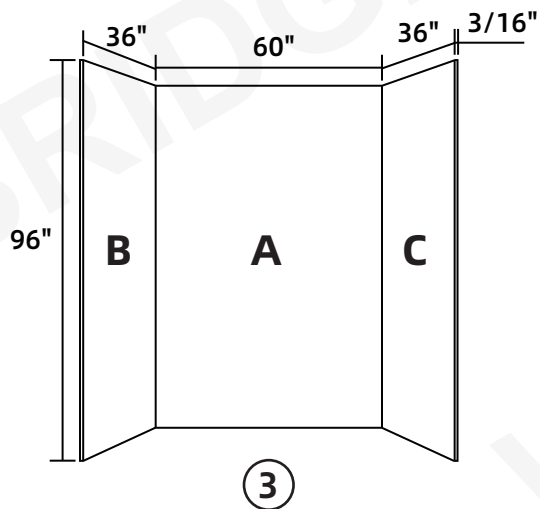
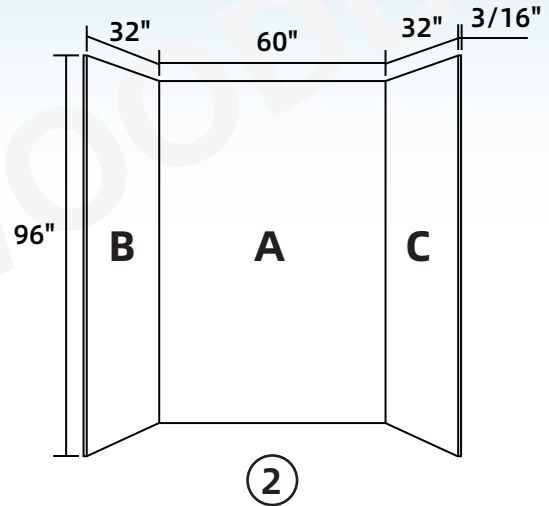
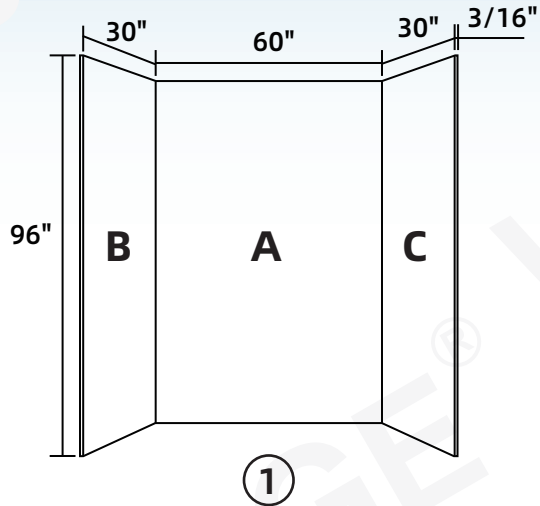
**TEAM LIFTING
REQUIRED**

**TEAM LIFTING REQUIRED TO LIFT AND DURING
ENTIRE INSTALLATION OF THIS PRODUCT**

Please Call Customer Support: 562-229-0088. (Monday - Friday 9 AM - 5 PM Pacific Time)

Or Email: help@woodbridgebath.com

1. Product Specifications



Size Chart

Size	Width (inch)	Height (inch)	Depth (inch)
1	60	96	30
2	60	96	32
3	60	96	36
4	60	96	48
5	48	96	36
6	36	96	36

Package Contents

Rear Wall Panel(A)	x1
Left Side Panel (B)	x1
Right Side Panel (C)	x1

2. Safety Guidelines

Indicates that equipment or property damage can result if instructions are not followed.

- **Read and Understand the Manual**

who installs or maintains this product to fully understand and follow proper installation and maintenance procedures. Be aware of the inherent dangers in the use of power tools when installing this product. Read and understand all warnings, cautions, and important notices in this manual.

- **Work safely**

DO NOT proceed if any doubt arises about the correct or safe method of performing any thing found in this or other manuals. The installation of this product can require the use of power tools. Do not use power tools without adequate training. If necessary, hire or consult a trained professional for expert assistance before continuing.

- **Use Proper Tools**

Always use proper tools that are in good, working condition during the installation of the WOODBRIDGE products. Using tools other than those listed could adversely affect the integrity of floors, pipes, walls, or this product and could result in water damage or other damage to floors, pipes, walls, or other portions of your building or home.

- **Do Not Use Nails**

The panels are mounted to walls with Adhesive (Clear or White) only. WOODBRIDGE recommends Adhesive (Clear or White) to mount this product, Never use hammers, nails, or screws. Hammers, nails, and screws could adversely affect the integrity of this product. Nails and screws could puncture the Wall Systems and Panels, resulting in water or other damage to floors, pipes, walls, or other portions of your building or home.

- **Inspect Before Cutting**

Make sure no electrical wiring or plumbing is present before cutting into a wall to install any accessories.

- **Use Proper Installation Methods**

Follow all instructions related to wall surface preparation. Failure to follow such instructions could cause the panels to detach from the wall surface after installation, resulting in personal injury, Failure to follow these instructions could result in water damage.

WARNING

Handling Hazard

According to the National Institute of Occupational Safety and Health, the recommended maximum safe lifting weight is 51 pounds, under perfect lifting conditions - mineral - free ground, steady blood - close to the body, straight back, load between knees and shoulders, and good grips. To avoid personal injury, always use these proper lifting techniques and have two people lift when panels weigh more than 51 lbs. DO NOT attempt to lift objects that are too heavy. When carrying a heavy load, seek assistance.

Room Temperature

Allow wall panels to adjust to room temperature for at least six hours before installation, and consult the Adhesive manufacturer's instructions for storage and surface preparation. The panels should be installed at temperatures not lower than 65°F. Panels should not be installed in areas where the temperature may drop below freezing (32°F). Failure to follow this recommendation could adversely affect the adhesive holding the panels to the wall. If the panels are not correctly adhered to the walls, they may fall off, posing a risk of injury to someone in or around the area.

Eye Protection

Ensure your own safety by using all personal protective equipment. To prevent eye injury, always wear protective glasses with side shields when using power tools. Additionally, ensure no one else can be injured by flying particles when using power tools.

Grab Bars

We recommend that shower compartments be equipped with support grab bars that comply with the most recent edition of ANSI - A117.1 requirements. Grab bars must be anchored to structural support (studs/joists) behind the panels. Do not rely solely on the panels for grab bar support.

Personal Protection

Ensure your safety by using all personal protective equipment, such as sturdy work boots (preferably with steel toes), gloves, and a hard hat if necessary. To prevent hearing damage, always wear ear protection, such as earmuffs or earplugs, when working with power tools.

Cutting Hazard

The installer of products may require the use of power tools. Keep your hands away from the cutting edge of any tool used during the installation of our product. Placing fingers near or around the cutting blades could result in serious personal injury.

Slipping Hazard

Do not install this product in the presence of water. Installing this product without thoroughly drying all surfaces, or in the presence of water, could cause you to slip and fall due to wet floors or spilled fluids. Personal injury may result from slips or falls. Before installation, dry all surfaces, including the floor, with a cloth or paper towel. Clean up any water or spilled fluids immediately.

Fire Hazard

Personal injury or death can result from a fire caused by flammable liquids or Adhesive. Cleaners or solvents can be highly explosive and result in personal injury or even death if not used properly. Clean up any flammable substance immediately. Sparks or open flames can cause flammable substances to ignite. DO NOT smoke while working with or near any flammable substance.

Solvent Hazard

Follow all manufacturer's safety instructions for Adhesive and denatured alcohol. Alcohol vapors are both flammable and hazardous to breathe. Adhesive vapors may irritate the eyes and nose. Personal injury can result from improper handling or use of products such as denatured alcohol. Always follow the manufacturer's recommendations for the safe use of these products. Ventilate any work area before applying Adhesive, cleaning agents, or solvents.

Fumes Hazard

The fumes from the Adhesive and solvents used by the installer can be harmful if used in an unventilated room. Always work in a well - ventilated area. To maintain proper ventilation, open windows and use exhaust fans. If adequate ventilation is not achievable or practical, use respiratory protective equipment.

Dust Hazard

When cutting or drilling products, use a dust collection method that prevents dust particles from dispersing into the air. Always work in a well - ventilated area. Always use an OSHA - approved dust mask when cutting, drilling, or sanding products.

Power Tool Hazard

To prevent personal injury or possible death, always follow the electrical safety recommendations of the power tool's manufacturer. Do not use power tools in an unsafe manner. Power tools should only be connected to a circuit protected by a ground fault circuit interrupter (GFI).

Shock Hazard

Never use electric power tools near water, condensation, or other liquids. Electric shock can cause severe burns, significant injuries, and even death. If an extension cord is required, always use an OSHA - approved extension cord. Power cords should only be connected to a circuit protected by a ground - fault interrupter (GFI).

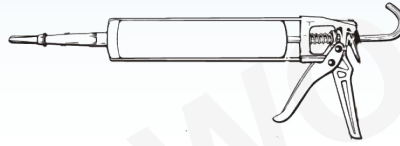
Electrocution Hazard

Water and other liquids conduct electric current and can create a short circuit, resulting in injury or death. Keep all liquids away from electrical cords and power tools. **DO NOT** create a short circuit between a source of electricity and a liquid by being in contact with both simultaneously.

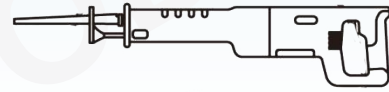
3. Required Tools



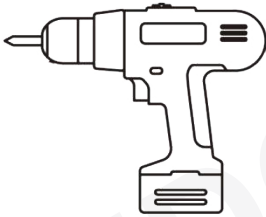
100% clear silicone sealant



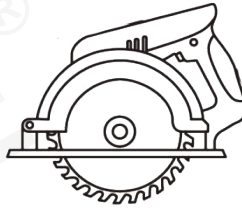
Caulking gun



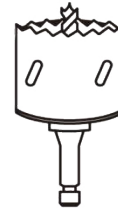
Saber saw
(straight up and down travel)
with bi - metal blade (14 teeth per inch)



Drill with 3/8" drill bit



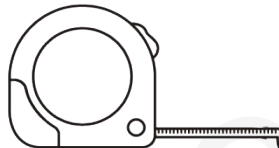
Circular saw with 60 to 80 tooth carbide blade



Hole saw for shower faucet / shower head



Pencil



Tape measure



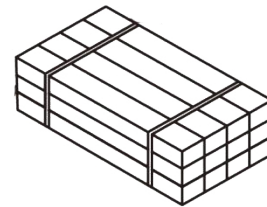
Level
(Recommended Laser Level)



Compass or dividers



Square



2 x 6 lumber as required for bracing (see Fixed wall panels)



Denatured Alcohol



Personal Safety Equipment

4. Preparation Tips

Unpackaging:

- Use care when opening the box to avoid damaging the panels.
- This product is shipped to you or your retail center after careful inspection. After purchasing the kit, carefully unbox and inspect the product for any shipping damage that may have occurred. If damage is found, report it immediately to the store of purchase. During inspection and installation, protect the products from construction damage by moving them to another room or area until ready to install.
- Store panels in a flat area to avoid warpage until the time of installation. Do not store the panels outside of the original packaging in a vertical position.
- Ensure the walls are the correct size and in good condition. Installation of damaged products will void the warranty.

Helpful Hints:

- Read these instructions carefully and familiarize yourself with the various parts of the kit.
- The variety of installations possible for this kit may require procedures other than those shown. Ensure the construction is correctly sized, plumb, and square.
- Allow sufficient time for the parts in this kit to adjust to room temperature. WOODBRIDGE® does not recommend installation of this product at temperatures below 65 degrees.
- Sawhorses with 2 x 4 cross - members or a worktable are helpful during the installation process.
- Always transport the panels vertically. Use care when laying the panels flat to prevent flexing, especially when panels have a cut - out in them.
- Store unused materials away from the work area to prevent accidental damage.
- If the shower is placed above the garage or on an outside wall, care must be taken to ensure the shower is properly insulated from cold temperatures.

Preparation Tips:

- Measure the width of the back wall (with green board) installed. This measurement cannot exceed the width of the Expressions back panel. If the wall opening is too large, other methods or two panels will be required to cover the wall.
- Turn off the hot and cold water supply.
- Remove the faucet handles, escutcheons, filler spouts, and/or anything mounted to the wall (e.g., towel bars, soap dishes, etc.).
- Always measure the location of the plumbing cut - outs from the back wall forward and the ledge of the shower base upstairs.
- Ensure all plumbing or electrical work inside the walls is finished before installation of the wall panels.

- Prepare the area with 1/2" (13mm) moisture - resistant drywall, marine - grade plywood, or concrete board. Never install products directly on any surface that is, or may become, wet.
- Trial fit the side panels before you begin. Panels have a finished side and a non - finished backer side. Place the panel with the non - finished side against the sub - wall.
- Walls must be solid, plumb, and square with a tolerance of 1/8". Shim or trim the opening, as required. This kit has been designed with some adjustability for minor alignment problems.
- The mounting surface must be free of dirt, film, waxes, or any other residues.
- If you are installing a recessed accessory, cut the hole after the panel is installed and fully supported by the wall. Remember to position the accessory between the wall studs.

Caulking Tips:

- Follow the instructions on the Adhesive tube.
- When the job is complete, inspect all caulked areas for gaps and fill as needed.
- Clean up any excess Adhesive that was missed using denatured alcohol and a clean cloth.
- Be very careful not to disturb caulk joints.

Installation Procedure

WOODBIDGE® wall panels can be installed over a variety of products.

If you intend to apply the panels to any surface other than those described, consult with a professional contractor. Use the following sections when installing this product:

- Sheetrock, Green board, Cement Board, Wood.
- Plaster
- Cement/Concrete
- Old Tile
- Wallpaper
- Masonite

Sheetrock, Green board, Cement Board, or Wood:

The surface must be dry, smooth, and free of any dust, soap scum, or other contaminants.

To ensure proper adhesion of the product, the wall surface must be sealed with water or oil - based primer/sealer.

After the primer/sealer is completely dry, complete the installation following the instructions in this manual.

Plaster:

Depending on the condition of the existing wall surface, additional Adhesive may be required to ensure contact between the substrate and the wall panel.

- Sand textured or swirled finishes smooth.
- Clean the wall surface with a damp cloth to remove any dust, soap scum, or any other contaminants. The wall surface must be dry and smooth.
- To ensure proper adhesion of the product, the wall surface must be sealed with water or oil - based primer/sealer.
- After the primer/sealer is completely dry, complete the installation following the instructions in this manual.

Cement/Concrete:

Depending on the condition (flatness) of the existing wall surface, additional Adhesive may be required to ensure contact between the substrate and the wall panel.

- To ensure proper adhesion of the product, the complete area must be sealed with two coats of water or oil - based primer/sealer.
- After the primer/sealer is completely dry, complete the installation following the instructions in this manual.

Old Tile:

Depending on the condition of the existing wall surface, additional Adhesive may be required to ensure contact between the substrate and the wall panel.

IMPORTANT NOTICE

- The surface must be dry, smooth, and free of any dust, soap scum, or other contaminants.
- Remove or reattach any loose ceramic tiles. Old tiles and front edge ceramic tiles should be reset for appearance only.
- Remove any tile accessories attached to the walls.
- Remove the bottom row of tiles and cut a ventilation gap in the substrate.
- The surface must be dry, smooth, and free of any dust, soap scum, or other contaminants.
- Complete the installation following the instructions in this manual.
Note: If using a trim kit, old tiles may need to be removed to allow a proper fit.

Wallpaper:

- All wallpaper must be removed from the area being covered. Clean the wall surface to remove any dust, soap scum, or other contaminants. The wall surface must be dry and smooth.
- To ensure proper adhesion of the product, the complete wall surface must be sealed with two coats of water or oil - based primer/sealer.
- After the primer/sealer is completely dry, complete the installation following the instructions in this manual.

Masonite:

- Clean the wall surface to remove any dust, soap scum, or any other contaminants. The wall surface must be dry and smooth.
- To ensure proper adhesion of the product, the wall surface must be sealed with water or oil - based primer/sealer.
- After the primer/sealer is completely dry, complete the installation following the instructions in this manual.

If these installation instructions are carefully followed, you will achieve an easy, trouble - free installation of your product. Any deviations, additions, and/or deletions from the prescribed installation, without prior written approval, will void the warranty covering this product.

Disclaimer:

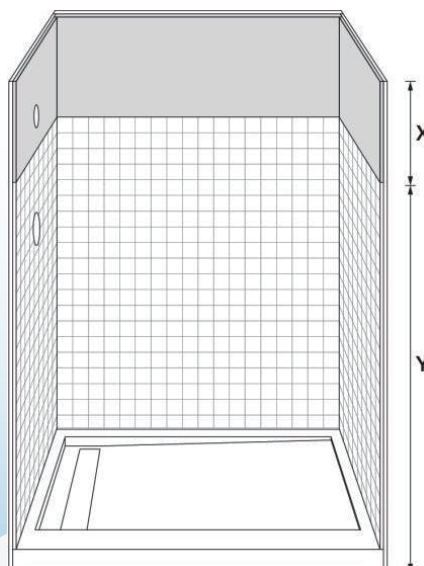
The information contained in this Installation Manual is provided free of charge. It is based on technical data that believes to be reliable and is intended for use by individuals with knowledge in this technical area, at their discretion and risk. WOODBRIDGE assumes no responsibility for results obtained or damage incurred from the use of this material, either in whole or in part, by the buyer.

- This manual provides basic instructions for the installation of the product in a step - by - step sequence that will work in most types of installations.
- Follow all installation instructions. Failure to follow these instructions could result in personal injuries, water damage, or other damage to floors, pipes, walls, or other portions of your building or home.

Filler Boards:

If an existing wall covering (e.g. tile) does not extend to a height equal to the height of the panel, it will be necessary to install a filler board to that height. The filler board must be equal to the thickness of the existing wall covering (tile). Usually, 1/4" masonite or similar material is adequate. If desired, the filler board can extend from the top edge to the ceiling.

Note: Failure to use a filler board to properly install the panels could result in water damage to floors, walls, or other portions of your building or home.

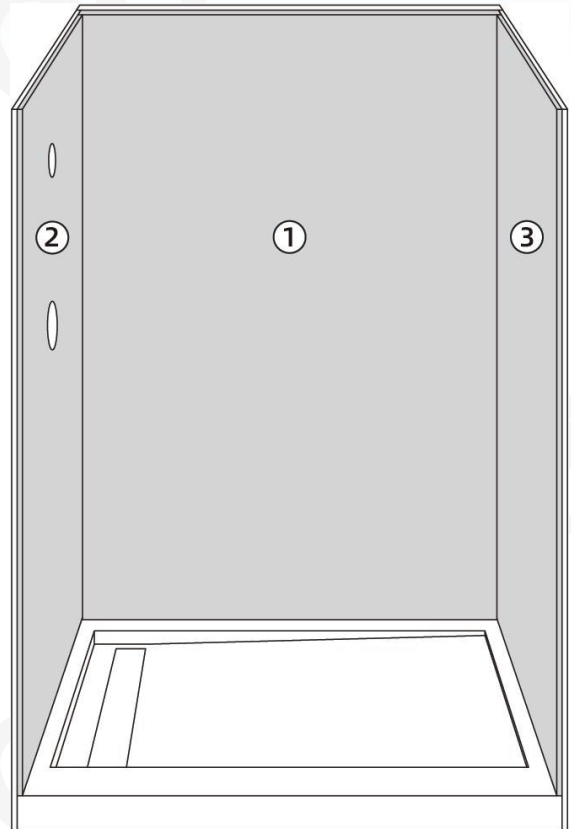


5. Installation Procedure

Wallboard Installation

If you are installing the wall panels over an existing wall surface, proceed to the next section.

1. Cut out openings for the shower faucet(s) and shower head. Install 1/2" moisture - resistant cement board or green board over the back (1), front (2), and rear (3) wall surfaces of the rough opening.



IMPORTANT NOTICE

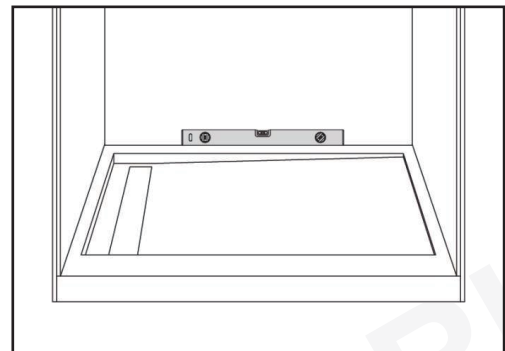
Install the wallboard with a 1/2 " gap above the shower base side lip, in front of the shower base, and at the floor to prevent possible water wicking damage to the wall.

2. Apply a coat of water - or oil - based primer/- sealer to all the surfaces of the cement board or green board (follow the manufacturer's instructions). Allow the primer to dry thoroughly before applying any Adhesive.

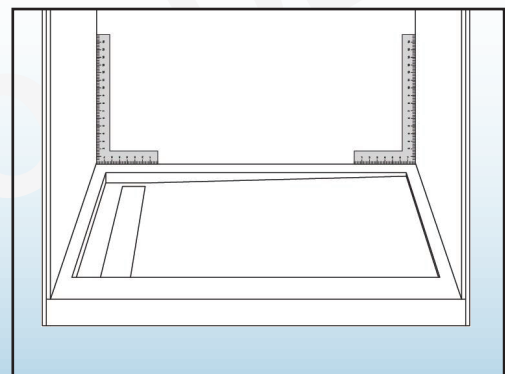
Back Panel

1. Before installation, make sure that the shower base is in a level position.

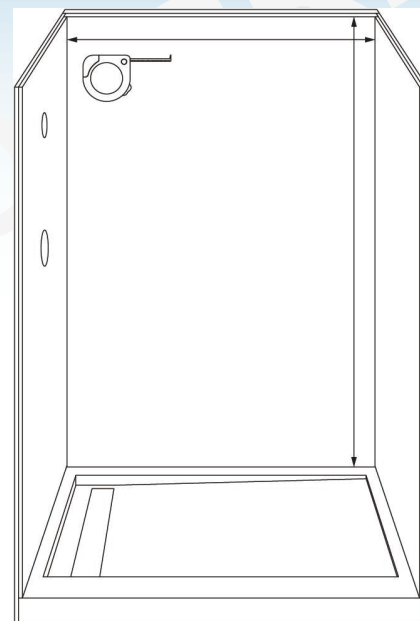
2. Before installation, verify whether the shower base and the wall are in a vertical position.



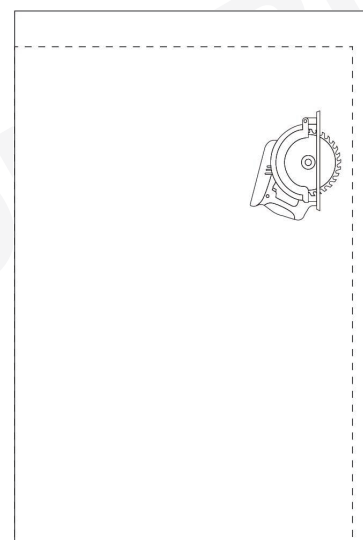
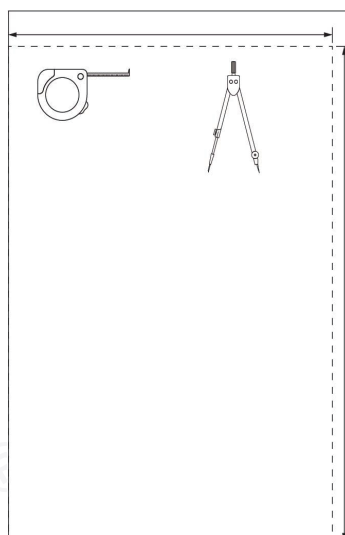
3. If the dimensions of the back wall are smaller than those of the shower wall panel, it will be necessary to cut the shower wall panel to fit the size of the back wall. First, measure the dimensions of the back wall using a tape measure.



4. Place the back wall panel with the face up on a flat surface. Transfer the measurements to the panel.



5. Cut the panel using a circular saw with a 60 - 80 tooth carbide blade or a saber saw with a bi - metal blade (14 teeth per inch).



WARNING

Dust Hazard

When cutting or drilling the product, use a dust collection method to prevent dust particles from going into the air. Always work in a well - ventilated area. To maintain proper ventilation, open windows and use exhaust fans. Always use an OSHA - approved dust mask when cutting, drilling, or sanding products.

IMPORTANT NOTICE

Any cut out for accessories should have rounded corners (sharp corners can promote stress cracks).

6. Dry fit the back panel and make any necessary adjustments. Temporarily secure the back panel to the wall to ensure a proper fit with the front and rear panels.

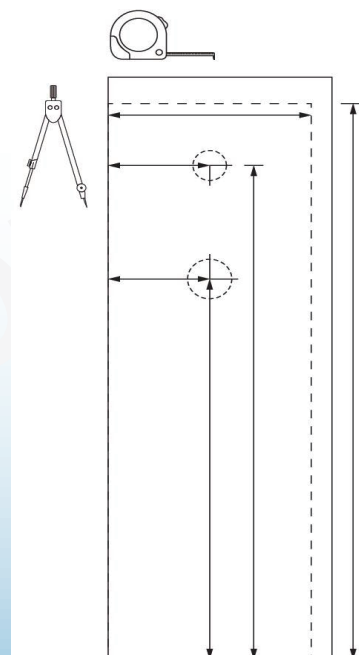
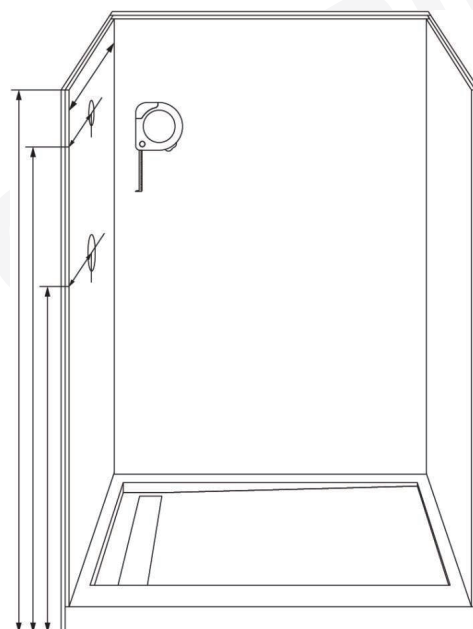
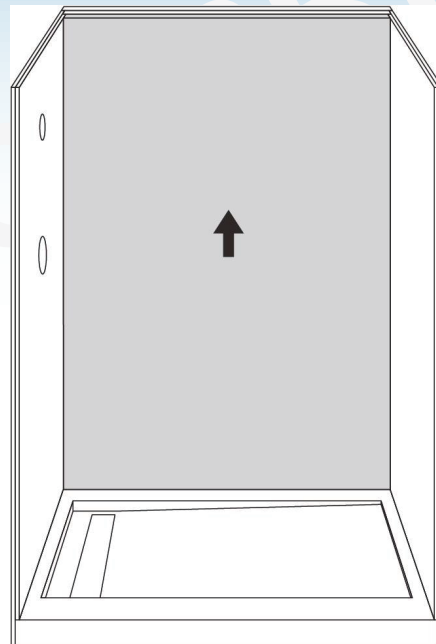
IMPORTANT NOTICE

DO NOT force a panel to fit a bowed or curved wall as it may break; furthermore, the resiliency of the panel can break the Adhesive bond to the wall surface.

Left Side

1. If the dimensions of the left wall are smaller than those of the shower wall panel, it will be necessary to cut the shower wall panel to fit the size of the left wall. Measure the dimensions of the left wall using a tape measure. Measure the openings for the shower faucet(s) and shower head.

2. Place the left wall panel with the face up on a flat surface. Transfer the measurements to the panel.



3. Cut clearance holes using a router, saber saw, or hole saw. Drill or cut from the finished side of the panel. For best results, when drilling, place a scrap of wood beneath the hole to ensure a clean cut.

WARNING

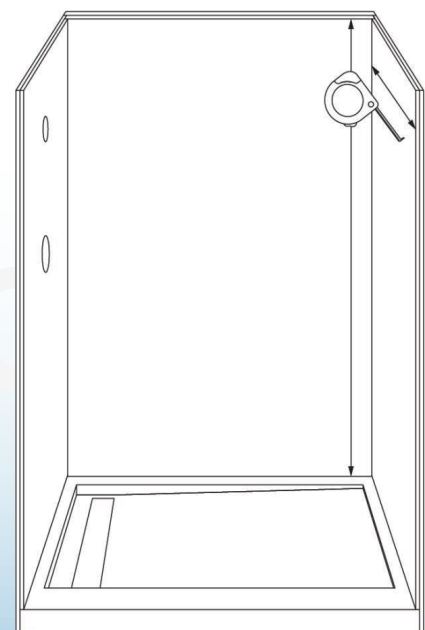
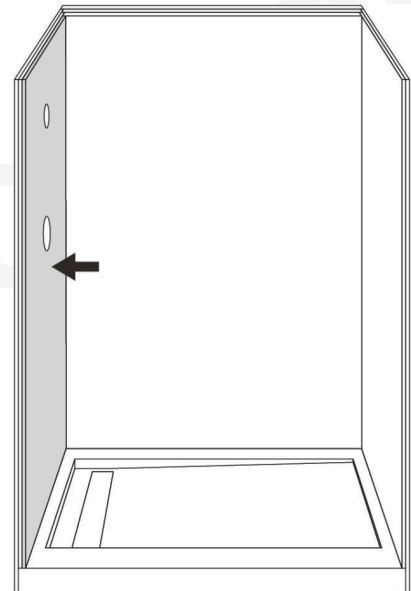
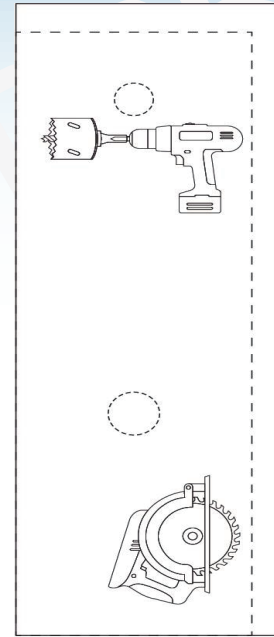
Dust Hazard

When cutting or drilling the product, use a dust collection method to prevent dust particles from becoming airborne. Always work in a well-ventilated area. To maintain proper ventilation, open windows and use exhaust fans. Always use an OSHA-approved dust mask when cutting, drilling, or sanding products.

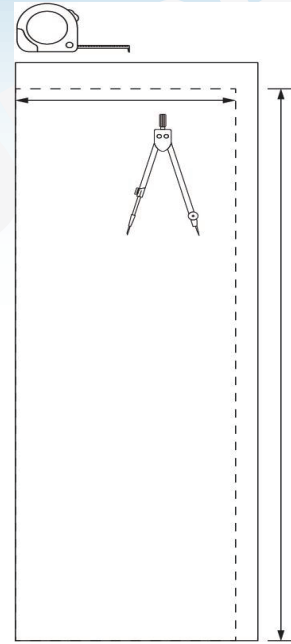
4. Temporarily secure the left panel to the wall to ensure a proper fit with the front and rear panels.

Right Side

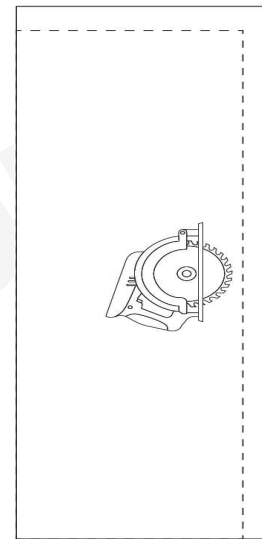
1. If the dimensions of the right wall are smaller than those of the shower wall panel, it will be necessary to cut the shower wall panel to fit the size of the right wall. First, measure the dimensions of the right wall using a tape measure.



2. Place the right wall panel with the face up on a flat surface. Transfer the measurements to the panel.



3. Cut the panel using a circular saw with a 60 - 80 tooth carbide blade or a saber saw with a bi - metal blade (14 teeth per inch).

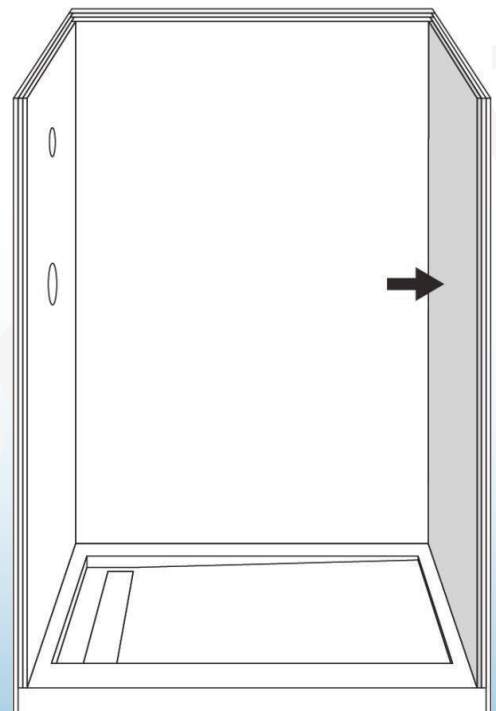


WARNING

Dust Hazard

When cutting or drilling the product, use a dust collection method to prevent dust particles from becoming airborne. Always work in a well - ventilated area. To maintain proper ventilation, open windows and use exhaust fans. Always use an OSHA - approved dust mask when cutting, drilling, or sanding products.

4. Temporarily secure the right panel to the wall to ensure a proper fit with the front and rear panels.

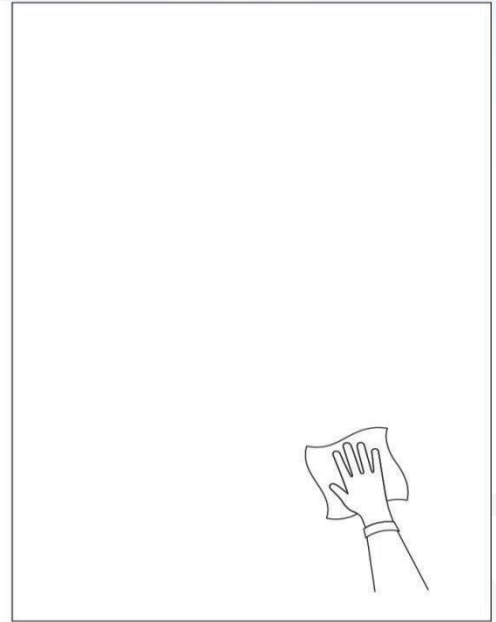


Panel Installation

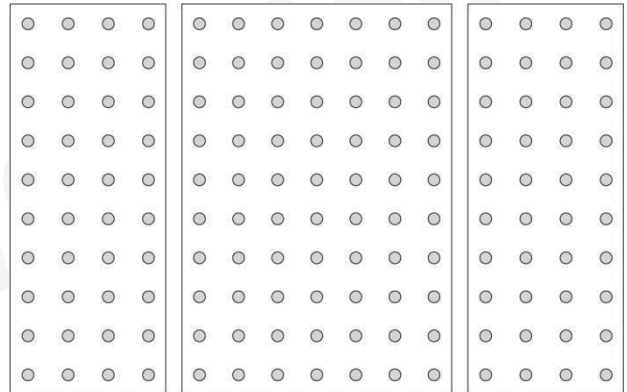
Fumes Hazard

The fumes from the Adhesive and solvents used by the installer can be harmful if used in an unventilated room. Always work in a well-ventilated area. To maintain proper ventilation, open windows and use exhaust fans. If adequate ventilation is not achievable or practical, use respiratory protective equipment.

1. Clean the backs of each panel with denatured alcohol or another non-oil-based cleaning solvent. Do not use oil-based cleaners, such as mineral spirits, to clean the panels. The oil in the cleaner will prevent the panel from adhering properly to the wall.



2. Apply the Adhesive in 1 - 1/4" diameter dots every 8 to 10 inches apart over the surface of the panel. Follow the Adhesive manufacturer's instructions and note all ventilation and installation precautions.



Note: When using an industrial-grade hot melt glue gun in place of bracing, apply the Adhesive as stated in Step 2. Then apply the hot melt glue to the panel, as needed, and quickly press the panel firmly into place.

WARNING

This process is not recommended for the do-it-yourself homeowner.

Using hot melt glue in place of bracing requires application by a qualified installer. This temporary bonding method must hold the panel to the wall during the 24 hour curing time of the adhesive. The hot melt glue by itself is not sufficient to bond the panel to the wall. Therefore, improper or inadequate application of the hot melt glue may result in insufficient bonding of the panel to the wall. Due to the weight of the panel, failure to follow this recommendation may allow it to detach itself from the wall, causing possible injury to someone in or around the shower enclosure.

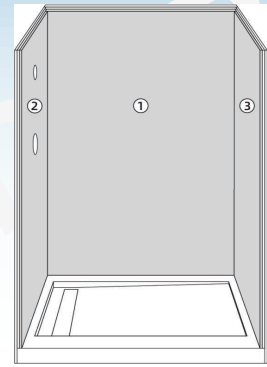
Improper installation methods may also result in water damage or other damage to floors, walls, or other portions of your building or home.

IMPORTANT NOTICE

Do not use a home applicator or craft-type hot melt glue gun. Using this type of glue gun will NOT hold the panels in place long enough for the Adhesive to bond properly.

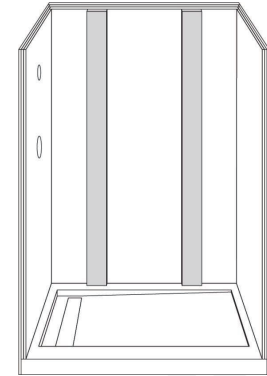
3. Install the back panel (1) first. Then, install the left - hand panel (2). Finally, install the right - hand panel (3).

4. Firmly press the surface of each panel against the wall. It is important to apply hand pressure to the entire surface of the panel to bond it to the wall surface.

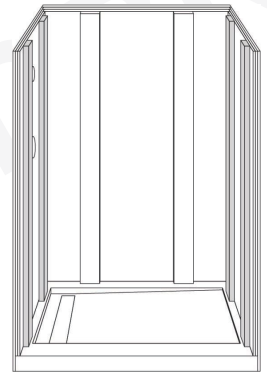


Fixed Wall Panels

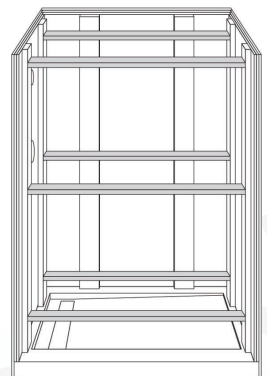
1. Place two or three braces against the back wall. Place two braces on panels that are 48" or less and three braces on panels greater than 48" wide.



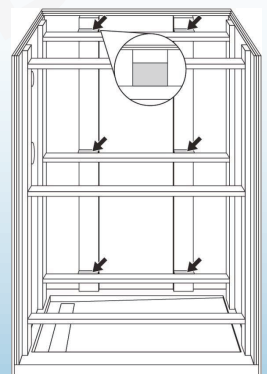
2. Place two braces against each left and right wall.



3. Install (wedge) three horizontal braces (six total) against the left and right wall braces.



4. Insert small blocks between the front - to - rear panel braces and the back panel braces. These will apply pressure to the back panel to hold it in place.



5. Remove the braces after 24 hours.

7. Care And Maintenance

- Cleaning and maintenance of the shower wall panels should be performed regularly.
- The ideal cleaning time is right after shower use. Soap scum, lime, and other heavy soil could contain invasive materials. The lack of cleaning and maintenance could result in damaging the surface of the wall panels and the core. Lack of cleaning shower walls could create discoloration of the wall panel.
- Shower walls should be cleaned regularly with a nonabrasive all - purpose household cleaner or window cleaner. Always test your cleaning solution on an inconspicuous area before applying it to the entire surface.
- Avoid using abrasive cleaners, scouring powders, grit, acid, acetone, alkaline, and ammonia.
- To extend the life span of the wall panels, daily cleaning with wet wipes and proper diluted neutral detergent (PH 7 - 8) is recommended. Always clean with a wet cloth as dry cleaning could scratch the surface.
- Avoid high concentrations of solvents, and strong alkaline and strong acidic solution during the cleaning process.
- A thin layer of wax could be applied to the surface of the wall panel after the cleaning process.
- Improper use of tools and sharp objects will create permanent scratch damage on the surface.

Woodbridge warrants its products as listed in below to be free of material and workmanship defect, subjected to the limitations set forth in this limited warranty.

- Bathtub, Whirlpool/Air Bubble Massage Tub, Cold Plunge, Wooden Tub: 1 Year limited to be free of defects in material and workmanship.
- Sauna room and Sauna Tent: 1 Year limited to be free of defects in material and workmanship.
- Toilet and Bidet: 1 Year limited to be free of defects in material and workmanship.
- Faucet: 1 Year limited to be free of defects in material and workmanship.
- Vanity and Vanity Top: 1 Year limited to be free of defects in material and workmanship.
- Granite, Marble, Engineered Quartz Vanity Top: 1 Year limited to be free of defects in material and workmanship.
- Medicine Cabinet, LED Mirror: 1 Year limited to be free of defects in material and workmanship.
- Stainless Steel Sink: 1 Year limited to be free of defects in material and workmanship.
- Solid Surface Shower Wall Panel, Shower Base: 10 Years limited warranty to be free from material defects.
- Drain Cover and PVC Drain: 1 Year limited to be free of defects in material and workmanship.
- Shower Door: Lifetime warranty on glass components and 1 Year limited on other hardware.

This limited warranty is non-transferable and only applies to products purchased and installed in the United States and Canada

This limited warranty excludes all industrial, commercial and business usage. Proof of purchase (original sales receipt) from the original purchaser, Description and pictures of defect, model number or model description must be provided to Woodbridge Bath for all warranty claims and Woodbridge Bath IS NOT responsible for labor cost, removal or installation costs.

This limited warranty shall not apply to goods which have been subject to accident, negligence, improper installation, product abuse, product misuse, or use of cleaners containing abrasives, alcohol or other organic solvents, whether performed by a contractor, service company, or yourself, are excluded from this warranty.

This warranty does not cover surface damaged caused by use of chemicals that break through or dissolve the surface finish or damage caused by the accidental dropping of sharp or heavy objects. Improper care and use of abrasive cleaners and will void the warranty.

During this limited warranty period if a malfunction occurs and after inspection it is determined that a defect developed during normal use, Woodbridge will as at its election proceed with any of the following options:

- (1) repair or replace the defective part(s) or product(s) at cost**
- (2) issue a refund of the original purchase price of the product(s) (Valid within 30 days from the date of purchase)**
- (3) issue a credit to be applied toward the purchase of a new product. Shipping/delivery charges may apply and are in sole discretion.**

Caution:
NEVER use cleaners containing abrasive cleaners, ammonia, bleach, acids, waxes, alcohol, solvents or other products that are not recommend for Chrome finish will void the warranty.
Woodbridge products should be installed by a fully insured and licensed contractor only. Installation by anyone other than fully insured and licensed contractor will void this limited warranty.

RESPONSIBILITIES OF OTHERS

Inspecting the unit prior to installation is the responsibility of the installer or building contractor who acts on behalf of the user. They are responsible for ensuring the unit is free of defect or damage. Notices are placed on the unit and on the shipping carton advising the installer of this responsibility. In the event of a problem, the unit must not be installed. Woodbridge is not responsible for failures or damage that could have been discovered, repaired, or avoided by proper inspection and testing prior to installation.

Damage occurring in transit is the responsibility of the carrier. The user or installer MUST open the crate and inspect the unit for damage when it is delivered. If damage is discovered, it must be reported immediately to the seller and the carrier in writing, and an inspection requested. Failure of the carrier to respond should be reported to the seller and the carrier. Your freight claims should be filed promptly thereafter.

This limited warranty does not cover any liability for consequential or incidental damages, all of which are hereby expressly disclaimed, or the extension beyond the duration of this limited warranty of any implied limited warranties, including those of merchant ability or fitness for an intended purpose.

DISCLAIMER

Except as expressly provided, there shall be no warranty or obligation, express or implied, oral or statutory. No dealer or other person has the authority to make any warranties or representations concerning or its products. In no event shall be held responsible for any such warranties or representations.

Some states/provinces do not allow limitations on how long an implied warranty lasts, or the exclusion on limitation of special, incidental or consequential damages, so these limitations and exclusions may not apply to you. This warranty gives you specific legal rights, you may also have other rights which vary from state/province to state/province.

To obtain warranty and replacement parts, please send e-mail to help@woodbridgebath.com with the original receipt information, Woodbridge will determine whether to repair or replace your product, issue a refund or issue a credit.

IMPORTANT!

DO NOT USE: Abrasive cleaners such as: acid, ammonia, bleach, and similar solutions. Use of such solutions may cause corrosion, finish peeling, and/or dull the surface.

DO NOT USE: Abrasive sponges or cloth. Never use steel, wool, or wired brushes that will permanently scratch the surface.

Retain these installation instructions for future reference!

Thank you for using WOODBRIDGE products!

WOODBRIDGE®

California (Norwalk) Distribution Center
15600 Blackburn Ave, Norwalk, CA 90650

New Jersey (Somerset) Distribution Center
635 Pierce St, Somerset, NJ 08873

Florida (Orlando) Distribution Center
13645 S Orange Ave, Orlando, FL 32824

Canada (Ontario) Distribution Center
615 Orwell Street, Unit B, Mississauga, ON L5A2W4, Canada



Please don't hesitate to contact us if you have any questions or concerns.

Customer Service Phone: 562-229-0088. (Monday - Friday 9 AM - 5 PM Pacific Standard Time)

Or Email: help@woodbridgebath.com